

Item No.	Part Number	Description	Qty:
C	IRS-VW-1466	UPPER LEG WELDMENT	2
A	IRS-VW-1467	BASE PAN	1
B	IRS-VW-1467	COVER WELDMENT	1
F	IRS-VW-1468	MEDIA BOX ASSEMBLY	1
G	IRS-VW-1468	MEDIA BOX COVER	1
D	IRS-VW-1469	TOP TROUGH ASSEMBLY	1
E	IRS-VW-1469	TOP TROUGH COVER	1
H	IRS-VW-1470	BEZEL WELDMENT	1
L	IRS-VW-1471	EXTENSION LEG WELDMENT	1
K	IRS-VW-1472	EXTENSION SLEEVE	2
M	IRS-VW-1473	EXTERIOR MONITOR BEZEL	1
I	IRS-VW-1474	EXTERIOR MONITOR MOUNT	1
J	IRS-VW-1475	INTERIOR MONITOR MOUNT	1
N	IRS-VW-1613	ADD-ON LEG EXTENSION	2
12	N/A	LG 49XS2E-B 49" LED LCD (EXTERIOR PACING MONITOR)	1
13	N/A	LG SE3KD-B 49" LED LCD (INTERERIOR FACING MONITOR)	1

ELECTRONICS KIT

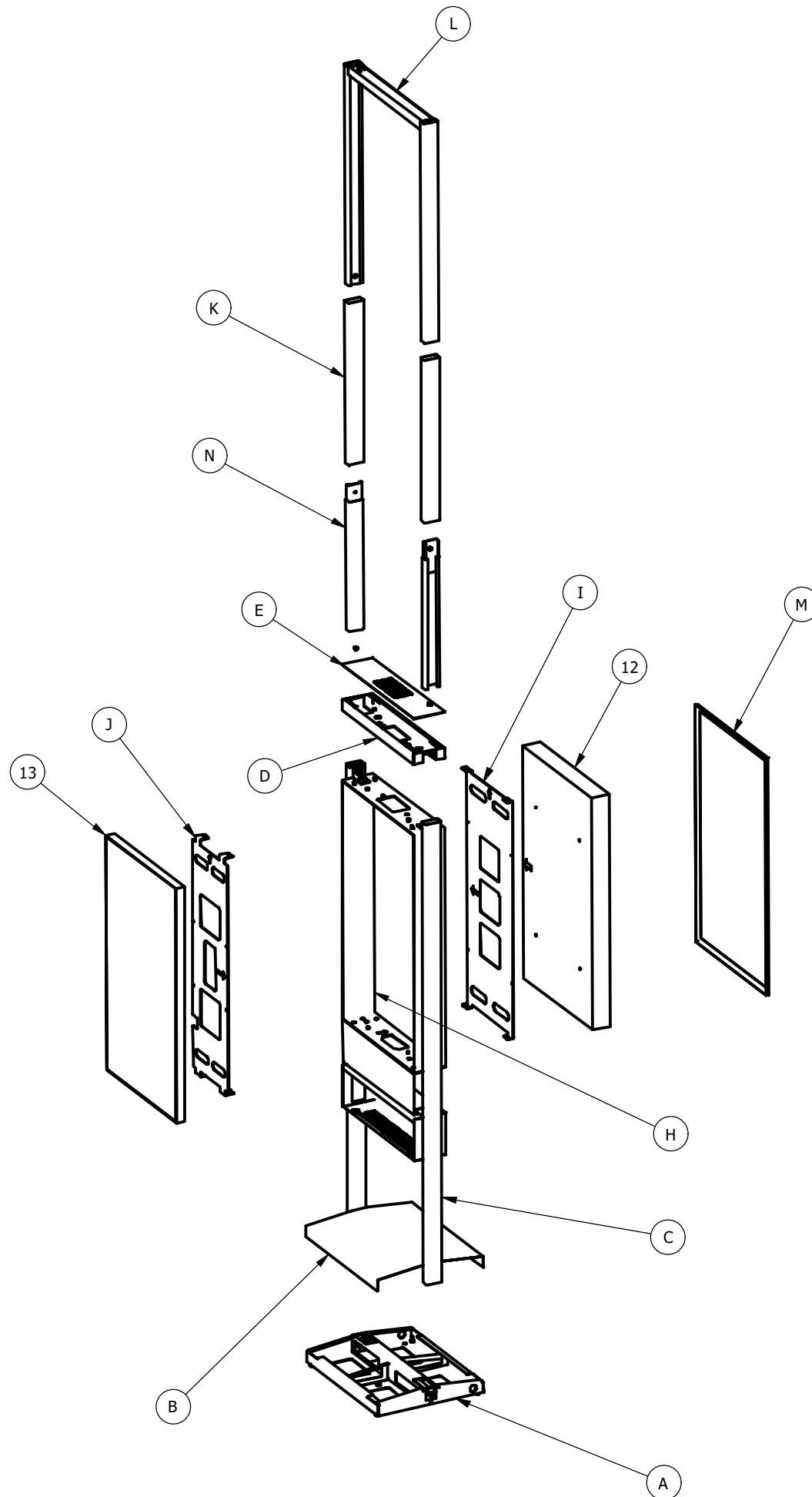
Qty:	Description
1	EXTERIOR MONITOR BRIGHTSIGN PLAYER
1	INTERIOR MONITOR BRIGHTSIGN PLAYER
2	25' ETHERNET CABLE
1	6' HDMI CABLE
1	T9F500883 15 A, 7 OUTLET, 15' SURGE PROTECTOR

INSTALLATION HARDWARE KIT

Qty:	Description
15	6" BLACK CABLE TIES
8	M6-14mm PAN HEAD SCREWS
2	5/16"x18-3/4" LONG, HEX BOLTS
4	3/8"x3" CONCRETE ANCHORS
2	1/4"-20 x 5/8" FLAT HEAD MACHINE SCREWS

Min Height: 87" Width: 25 3/4"
 Max Height: 144" Depth: 20 3/8"

If ceiling height is greater than 120", attach parts N (Add-On Leg Extension) to part L (Extension Leg Weldment) using supplied 1/4"-20 machine screws. Use parts K (Extension Sleeve) to cover Add-On Leg Extensions.



IRS-VW-1443 DIGITAL WINDOW DISPLAY



585 Western Blvd.
 Turtle Lake, WI 54889
 InfinityRetailServices.com

Part Name: Digital Window Display

Part No: 1443

Drawn By: Mike Date: 1/27/2020

REV Sheet: 51 OF 73