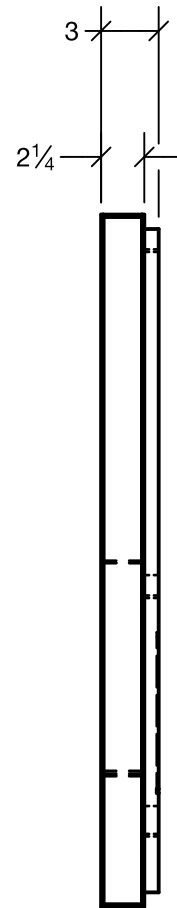
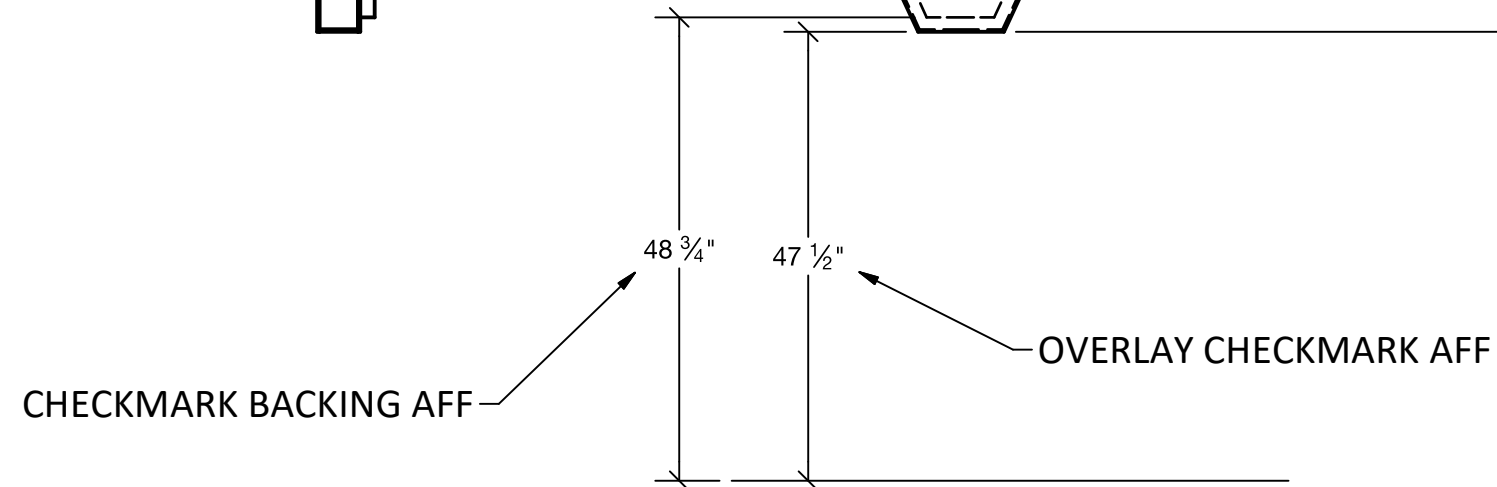
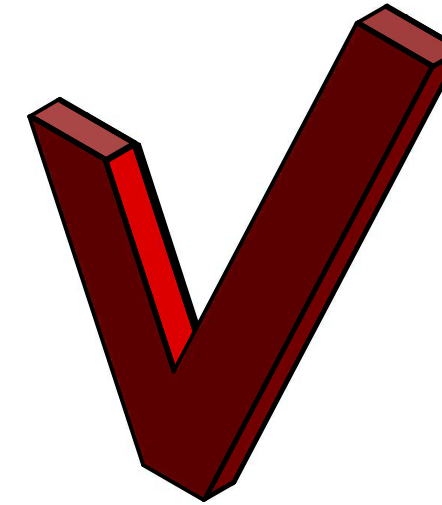
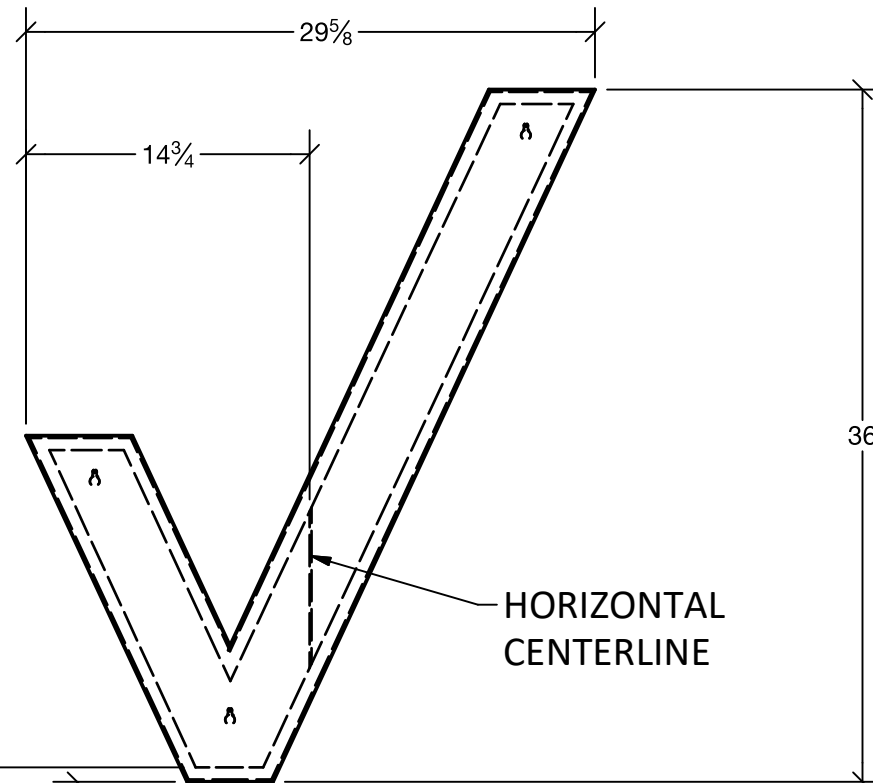


Qty:	Part Number	Description
1	IRS-VW-1373	36IN Checkmark
4	N/A	#8x3IN STEEL STUD SCREW
3	N/A	NO.6 1IN, PAN HEAD SHEET METAL SCREW (POSSIBLY INSTALLED)



TRANSPARENT VIEW



**IRS-VW-1373
36IN CHECKMARK**



585 Western Blvd.
Turtle Lake, WI 54889
InfinityRetailServices.com

Part Name:	36IN Checkmark
Part No:	1373

Drawn By:	Mike	Date:	1/27/2020
REV	0	Sheet:	20 OF 71