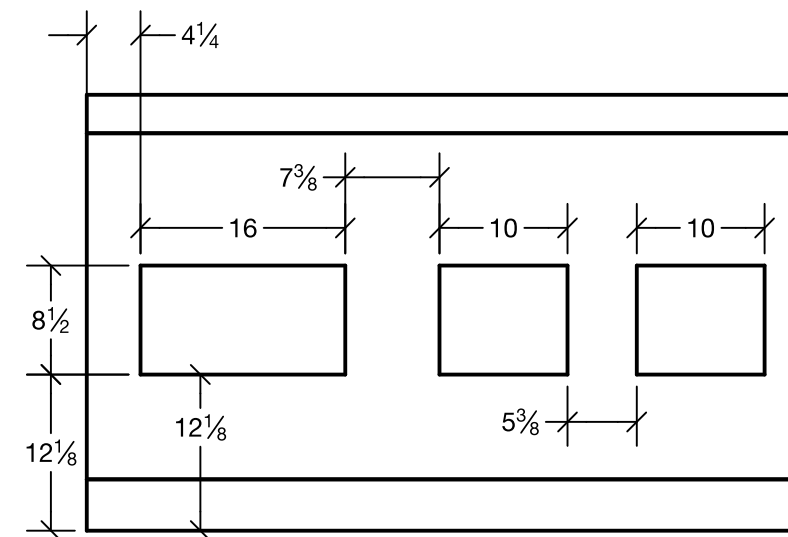
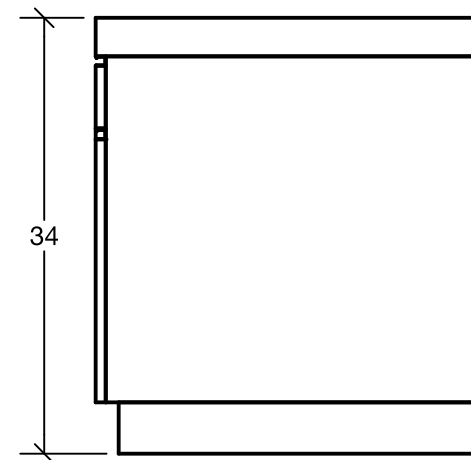
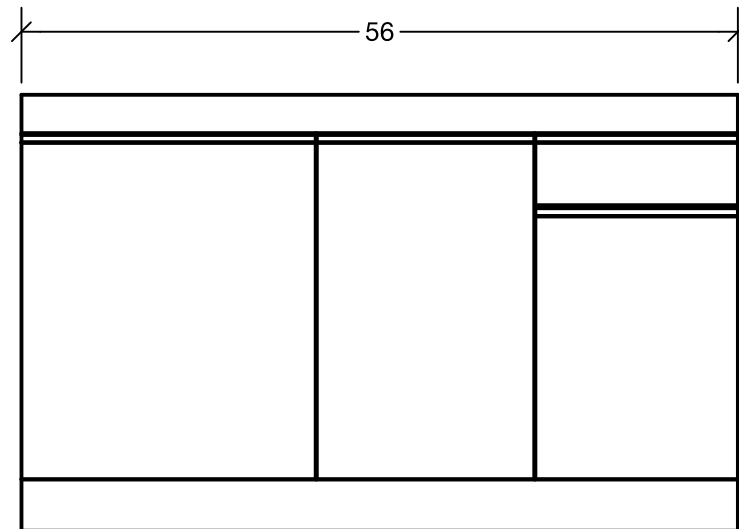
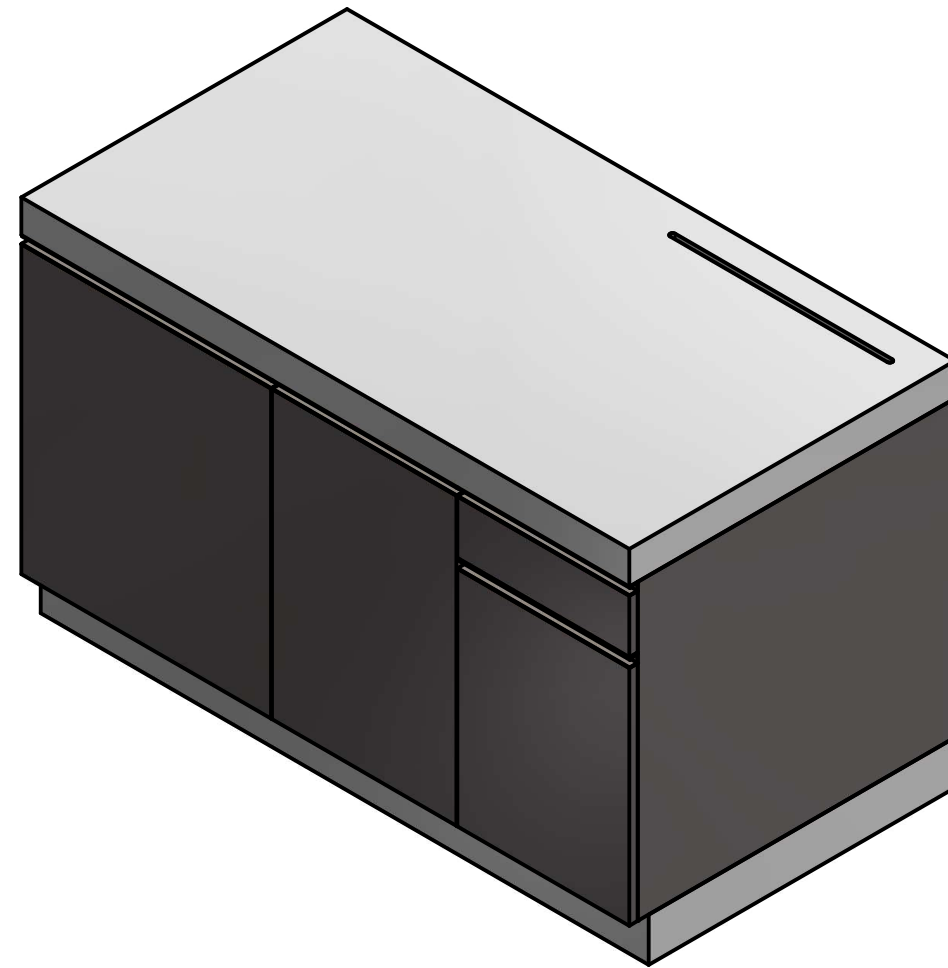
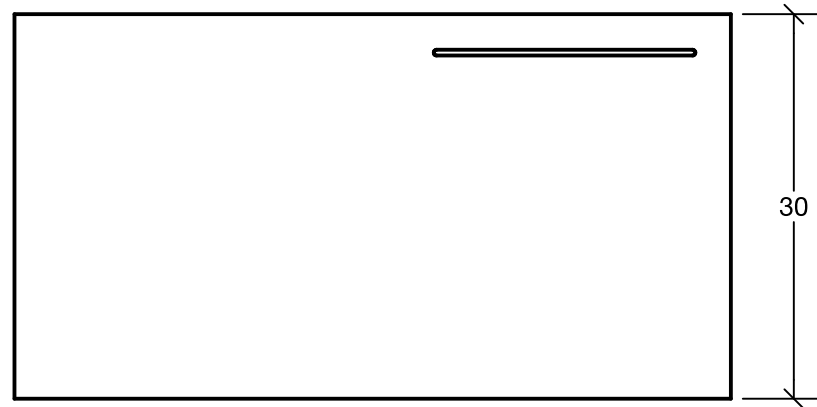


Qty:	Part Number	Description
1	IRS-VW-1327	REAR POS
1	BE106000-10	SURGE PROTECTOR

**IRS-VW-1327
REAR POINT OF SALE**



585 Western Blvd.
Turtle Lake, WI 54889
InfinityRetailServices.com

Part Name: Rear POS

Part No: 1327

Drawn By: Mike Date: 1/27/2020

REV: 0 Sheet: 32 OF 71