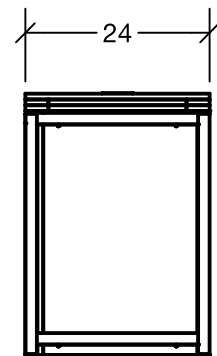
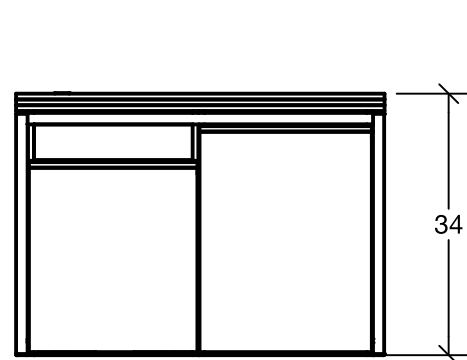
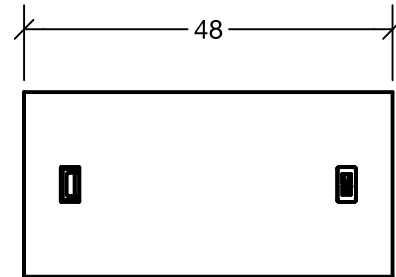
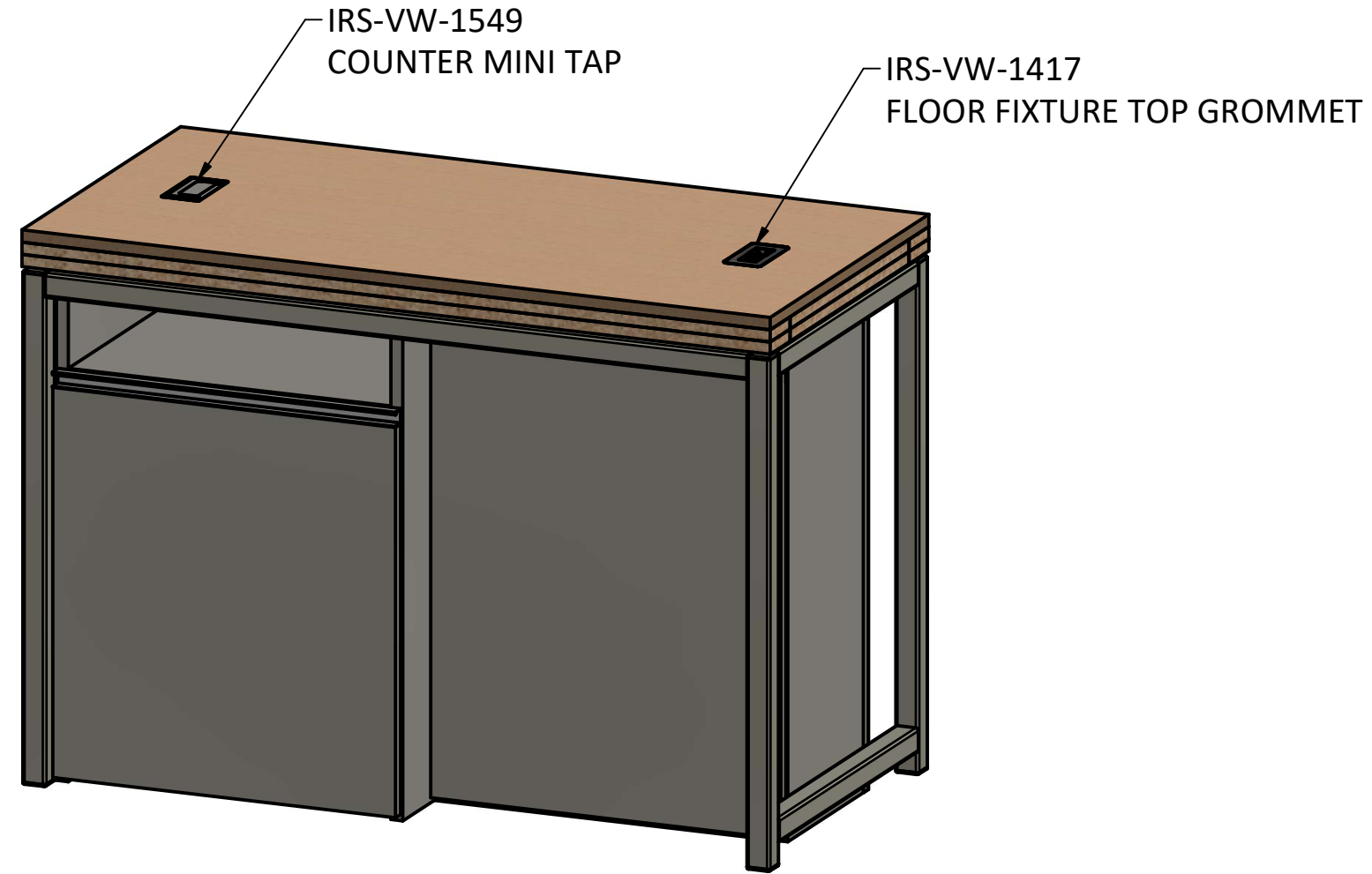


| Qty: | Part Number | Description                               |
|------|-------------|---|
| 1    | IRS-VW-1325 | SALES FLOOR POS                           |
| 1    | S14491GR    | 3 GALLON TRASH CAN                        |
| 8    | G401ZN      | 5mm x 11mm SHELF PIN SUPPORT              |
| 2    | N/A         | CONCRETE ANCHOR, 3/8IN DIAMETER, 3IN LONG |
| 1    | N/A         | LEFT SHELF                                |
| 1    | N/A         | RIGHT SHELF                               |
| 1    | IRS-VW-1480 | SALES FLOOR POS TOP (ECHO)                |
| 1    | ELECTRICAL  | QUAD BOX - 4FT WHIP                       |



**IRS-VW-1325  
SALES FLOOR POS**



585 Western Blvd.  
Turtle Lake, WI 54889  
InfinityRetailServices.com

Part Name: Sales Floor POS

Part No: 1325-R2

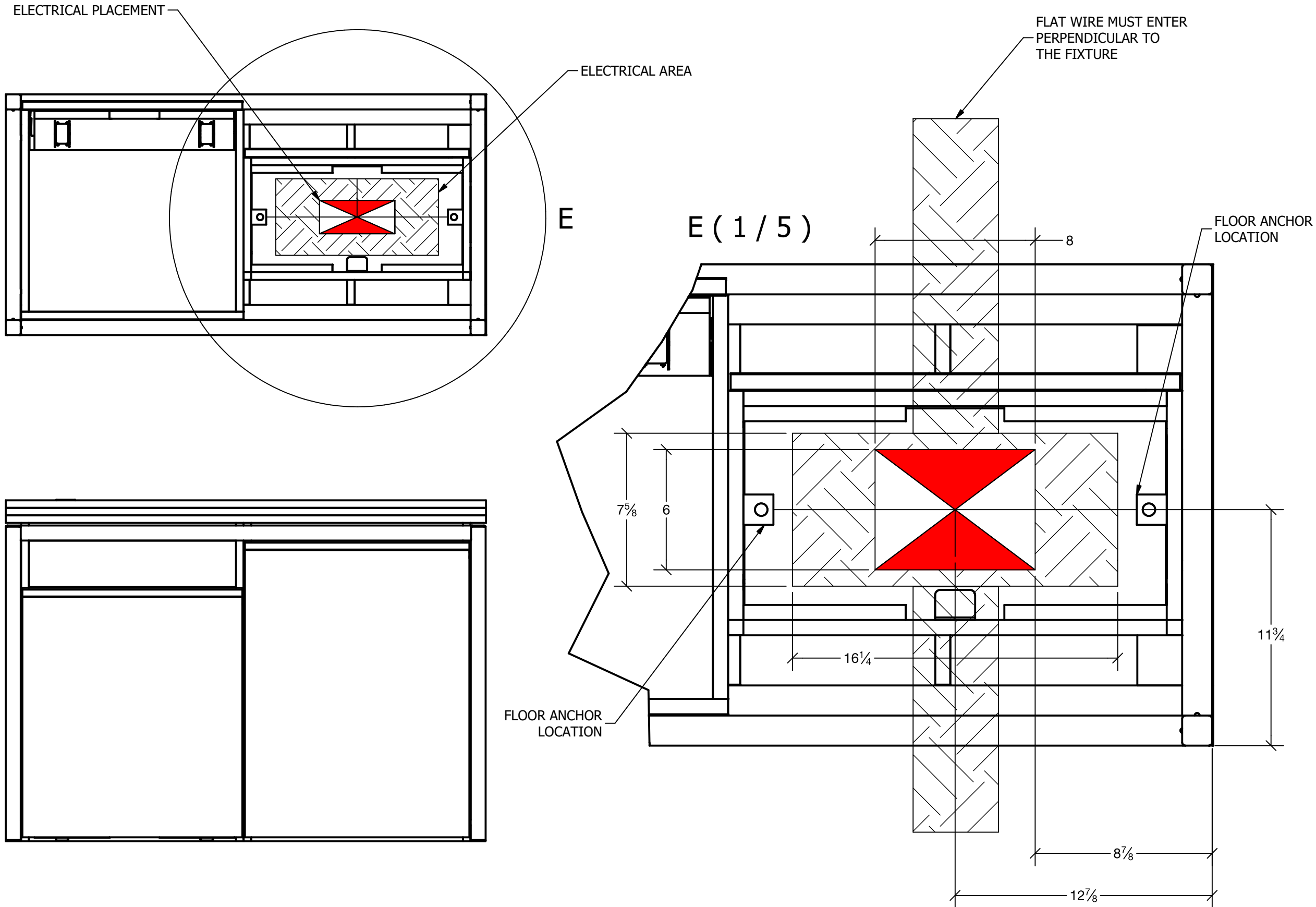
Drawn By: Mike

Date: 1/27/2020

REV 0

Sheet: 26 OF 71

**IRS-VW-1325  
SALES FLOOR POS  
ELECTRICAL DETAIL**



585 Western Blvd.  
Turtle Lake, WI 54889  
InfinityRetailServices.com

|            |                 |
|------------|-----------------|
| Part Name: | Sales Floor POS |
| Part No:   | 1325-R2         |

|           |      |        |           |
|-----------|------|--------|-----------|
| Drawn By: | Mike | Date:  | 1/27/2020 |
| REV       | 0    | Sheet: | 27 OF 71  |